



# SANYO Semiconductors

## DATA SHEET

# LC872H08A

# LC872H06A

# LC872H04A

CMOS IC  
8K/6K/4K-byte ROM and 256-byte RAM integrated  
**8-bit 1-chip Microcontroller**

### Overview

The SANYO LC872H08A/06A/04A is an 8-bit microcomputer that, centered around a CPU running at a minimum bus cycle time of 83.3ns, integrates on a single chip a number of hardware features such as 8K/6K/4K-byte ROM, 256-byte RAM, sophisticated 16-bit timers/counters (may be divided into 8-bit timers), a 16-bit timer/counter (may be divided into 8-bit timers/counters or 8-bit PWMs), two 8-bit timers with a prescaler, a base timer serving as a time-of-day clock, a high-speed clock counter, a synchronous SIO interface, an asynchronous/synchronous SIO interface, a UART interface (full duplex), two 12-bit PWM channels, a 12/8-bit 9-channel AD converter, a system clock frequency divider, an internal reset and a 20-source 10-vector interrupt feature.

### Features

#### ■ROM

- 8192 × 8 bits (LC872H08A)
- 6144 × 8 bits (LC872H06A)
- 4096 × 8 bits (LC872H04A)

#### ■RAM

- 256 × 9 bits (LC872H08A/6A/4A)

#### ■Minimum Bus Cycle

- 83.3ns (12MHz at  $V_{DD}=2.7V$  to 5.5V)
- 100ns (10MHz at  $V_{DD}=2.2V$  to 5.5V)
- 250ns (4MHz at  $V_{DD}=1.8V$  to 5.5V)

Note: The bus cycle time here refers to the ROM read speed.

■ Any and all SANYO Semiconductor Co.,Ltd. products described or contained herein are, with regard to "standard application", intended for the use as general electronics equipment (home appliances, AV equipment, communication device, office equipment, industrial equipment etc.). The products mentioned herein shall not be intended for use for any "special application" (medical equipment whose purpose is to sustain life, aerospace instrument, nuclear control device, burning appliances, transportation machine, traffic signal system, safety equipment etc.) that shall require extremely high level of reliability and can directly threaten human lives in case of failure or malfunction of the product or may cause harm to human bodies, nor shall they grant any guarantee thereof. If you should intend to use our products for applications outside the standard applications of our customer who is considering such use and/or outside the scope of our intended standard applications, please consult with us prior to the intended use. If there is no consultation or inquiry before the intended use, our customer shall be solely responsible for the use.

■ Specifications of any and all SANYO Semiconductor Co.,Ltd. products described or contained herein stipulate the performance, characteristics, and functions of the described products in the independent state, and are not guarantees of the performance, characteristics, and functions of the described products as mounted in the customer's products or equipment. To verify symptoms and states that cannot be evaluated in an independent device, the customer should always evaluate and test devices mounted in the customer's products or equipment.

## ■ Minimum Instruction Cycle Time

- 250ns (12MHz at  $V_{DD}=2.7V$  to 5.5V)
- 300ns (10MHz at  $V_{DD}=2.2V$  to 5.5V)
- 750ns (4MHz at  $V_{DD}=1.8V$  to 5.5V)

## ■ Ports

- Normal withstand voltage I/O ports
  - Ports I/O direction can be designated in 1-bit units 16 (Pin, P20, P21, P30, P31, P70 to P73)
  - Ports I/O direction can be designated in 4-bit units 8 (P0n)
- Dedicated oscillator ports/input ports 2 (CF1/XT1, CF2/XT2)
- Reset pin 1 (RES)
- Power pins 3 ( $V_{SS1}$ ,  $V_{SS2}$ ,  $V_{DD1}$ )

## ■ Timers

- Timer 0: 16-bit timer/counter with a capture register.
  - Mode 0: 8-bit timer with an 8-bit programmable prescaler (with an 8-bit capture register)  $\times$  2 channels
  - Mode 1: 8-bit timer with an 8-bit programmable prescaler (with an 8-bit capture register) + 8-bit counter (with an 8-bit capture register)
  - Mode 2: 16-bit timer with an 8-bit programmable prescaler (with a 16-bit capture register)
  - Mode 3: 16-bit counter (with a 16-bit capture register)
- Timer 1: 16-bit timer/counter that supports PWM/toggle outputs
  - Mode 0: 8-bit timer with an 8-bit prescaler (with toggle outputs) + 8-bit timer/counter with an 8-bit prescaler (with toggle outputs)
  - Mode 1: 8-bit PWM with an 8-bit prescaler  $\times$  2 channels
  - Mode 2: 16-bit timer/counter with an 8-bit prescaler (with toggle outputs) (toggle outputs also possible from the lower-order 8 bits)
  - Mode 3: 16-bit timer with an 8-bit prescaler (with toggle outputs) (The lower-order 8 bits can be used as PWM)
- Timer 6: 8-bit timer with a 6-bit prescaler (with toggle outputs)
- Timer 7: 8-bit timer with a 6-bit prescaler (with toggle outputs)
- Base timer
  - 1) The clock is selectable from the subclock (32.768kHz crystal oscillation), system clock, and timer 0 prescaler output.
  - 2) Interrupts are programmable in 5 different time schemes

## ■ High-Speed Clock Counter

- Can count clocks with a maximum clock rate of 20MHz (at a main clock of 10MHz).
- Can generate output real time.

## ■ SIO

- SIO0: 8-bit Synchronous serial interface
  - 1) LSB first/MSB first mode selectable
  - 2) Built-in 8-bit baudrate generator (maximum transfer clock cycle= $4/3t_{CYC}$ )
- SIO1: 8-bit asynchronous/synchronous serial interface
  - Mode 0: Synchronous 8-bit serial I/O (2- or 3-wire configuration, 2 to 512 tCYC transfer clocks)
  - Mode 1: Asynchronous serial I/O (half-duplex, 8 data bits, 1 stop bit, 8 to 2048 tCYC baudrates)
  - Mode 2: Bus mode 1 (start bit, 8 data bits, 2 to 512 tCYC transfer clocks)
  - Mode 3: Bus mode 2 (start detect, 8 data bits, stop detect)

## ■ UART

- Full Duplex
- 7/8/9 bit data bits selectable
- 1 Stop bit (2 bits in continuous data transmission)
- Built-in baudrate generator

## ■ AD Converter: 12 bits/8 bits $\times$ 9 channels

- 12/8 bits AD converter resolution selectable

■ **PWM: Multifrequency 12-bit PWM × 2 channels**

■ **Remote Control Receiver Circuit (sharing pins with P73, INT3, and T0IN)**

- Noise rejection function (noise filter time constant selectable from 1 tCYC, 32 tCYC, and 128 tCYC)

■ **Clock Output Function**

- Can generate clock outputs with a frequency of 1/1, 1/2, 1/4, 1/8, 1/16, 1/32, 1/64 of the source clock selected as the system clock.
- Can generate the source clock for the subclock

■ **Watchdog Timer**

- External RC watchdog timer
- Interrupt and reset signals selectable

■ **Interrupts**

- 20 sources, 10 vector addresses
  - 1) Provides three levels (low (L), high (H), and highest (X)) of multiplex interrupt control. Any interrupt requests of the level equal to or lower than the current interrupt are not accepted.
  - 2) When interrupt requests to two or more vector addresses occur at the same time, the interrupt of the highest level takes precedence over the other interrupts. For interrupts of the same level, the interrupt into the smallest vector address takes precedence.

No.	Vector Address	Level	Interrupt Source
1	00003H	X or L	INT0
2	0000BH	X or L	INT1
3	00013H	H or L	INT2/T0L/INT4
4	0001BH	H or L	INT3/INT5/base timer
5	00023H	H or L	T0H
6	0002BH	H or L	T1L/T1H
7	00033H	H or L	SIO0/UART1 receive
8	0003BH	H or L	SIO1/UART1 transmit
9	00043H	H or L	ADC/T6/T7/PWM4, PWM5
10	0004BH	H or L	Port 0

- Priority levels X > H > L
- Of interrupts of the same level, the one with the smallest vector address takes precedence.

■ **Subroutine Stack Levels: 128levels (The stack is allocated in RAM.)**

■ **High-speed Multiplication/Division Instructions**

- 16 bits × 8 bits (5 tCYC execution time)
- 24 bits × 16 bits (12 tCYC execution time)
- 16 bits ÷ 8 bits (8 tCYC execution time)
- 24 bits ÷ 16 bits (12 tCYC execution time)

■ **Oscillation Circuits**

• **Internal oscillation circuits**

Low-speed RC oscillation circuit : For system clock (100kHz)

Medium-speed RC oscillation circuit : For system clock (1MHz)

Multifrequency RC oscillation circuit : For system clock (8MHz)

• **External oscillation circuits**

Hi-speed CF oscillation circuit: For system clock, with internal Rf

Low speed crystal oscillation circuit: For low-speed system clock, with internal Rf

- 1) The CF and crystal oscillation circuits share the same pins. The active circuit is selected under program control.
- 2) Both the CF and crystal oscillator circuits stop operation on a system reset. When the reset is released, only the CF oscillation circuit resumes operation.

## ■ System Clock Divider Function

- Can run on low current.
- The minimum instruction cycle selectable from 300ns, 600ns, 1.2μs, 2.4μs, 4.8μs, 9.6μs, 19.2μs, 38.4μs, and 76.8μs (at a main clock rate of 10MHz).

## ■ Internal Reset Function

- Power-on reset (POR) function
  - 1) POR reset is generated only at power-on time.
  - 2) The POR release level can be selected from 8 levels (1.67V, 1.97V, 2.07V, 2.37V, 2.57V, 2.87V, 3.86V, and 4.35V) through option configuration.
- Low-voltage detection reset (LVD) function
  - 1) LVD and POR functions are combined to generate resets when power is turned on and when power voltage falls below a certain level.
  - 2) The use/disuse of the LVD function and the low voltage threshold level (7 levels: 1.91V, 2.01V, 2.31V, 2.51V, 2.81V, 3.79V, 4.28V).

## ■ Standby Function

- HALT mode: Halts instruction execution while allowing the peripheral circuits to continue operation.
    - 1) Oscillation is not halted automatically.
    - 2) There are three ways of resetting the HALT mode.
      - (1) Setting the reset pin to the low level
      - (2) System resetting by watchdog timer or low-voltage detection
      - (3) Occurrence of an interrupt
  - HOLD mode: Suspends instruction execution and the operation of the peripheral circuits.
    - 1) The CF, RC and crystal oscillators automatically stop operation.
    - 2) There are four ways of resetting the HOLD mode.
      - (1) Setting the reset pin to the lower level.
      - (2) System resetting by watchdog timer or low-voltage detection
      - (3) Having an interrupt source established at either INT0, INT1, INT2, INT4 or INT5  
\* INT0 and INT1 HOLD mode reset is available only when level detection is set.
      - (4) Having an interrupt source established at port 0.
  - X'tal HOLD mode: Suspends instruction execution and the operation of the peripheral circuits except the base timer.
    - 1) The CF and RC oscillator automatically stop operation.
    - 2) The state of crystal oscillation established when the X'tal HOLD mode is entered is retained.
    - 3) There are five ways of resetting the X'tal HOLD mode.
      - (1) Setting the reset pin to the low level.
      - (2) System resetting by watchdog timer or low-voltage detection.
      - (3) Having an interrupt source established at either INT0, INT1, INT2, INT4 or INT5  
\* INT0 and INT1 HOLD mode reset is available only when level detection is set.
      - (4) Having an interrupt source established at port 0.
      - (5) Having an interrupt source established in the base timer circuit.
- Note: Available only when X'tal oscillation is selected.

## ■ Package Form

- QFP36 (7×7): Lead-free type

## ■ Development Tools

- On-chip-debugger : TCB87 TypeB + LC87D2H08A  
                          : TCB87 TypeB + LC87F2H08A  
                          : TCB87 TypeC (3 wire version) + LC87D2H08A  
                          : TCB87 TypeC (3 wire version) + LC87F2H08A

Note: LC87F2H08A has an On-chip debugger but its function is limited.

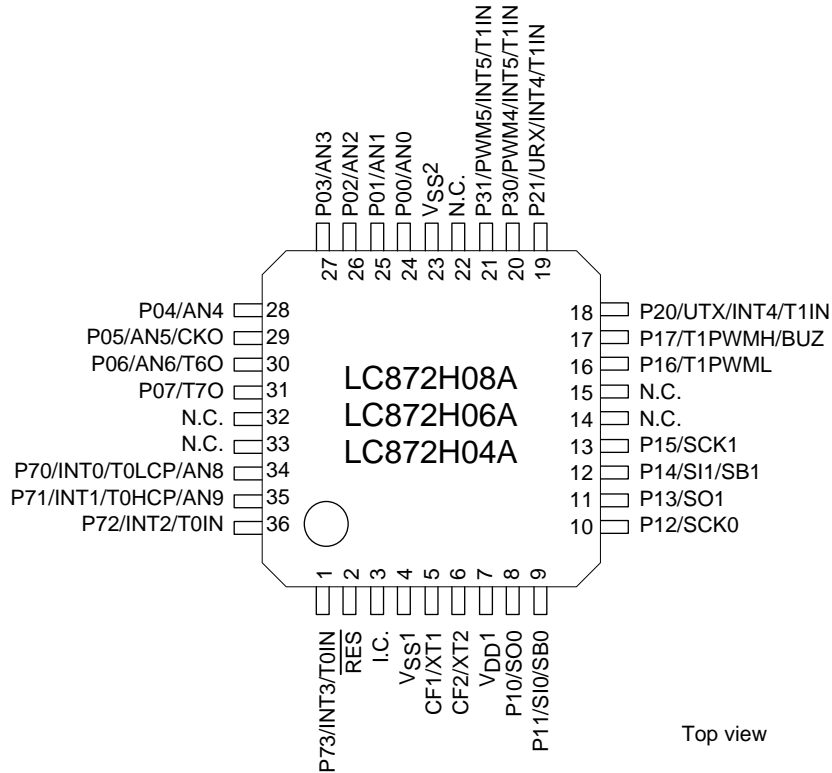
## ■ Flash ROM Version

- LC87F2H08A



# LC872H08A/06A/04A

## Pin Assignment



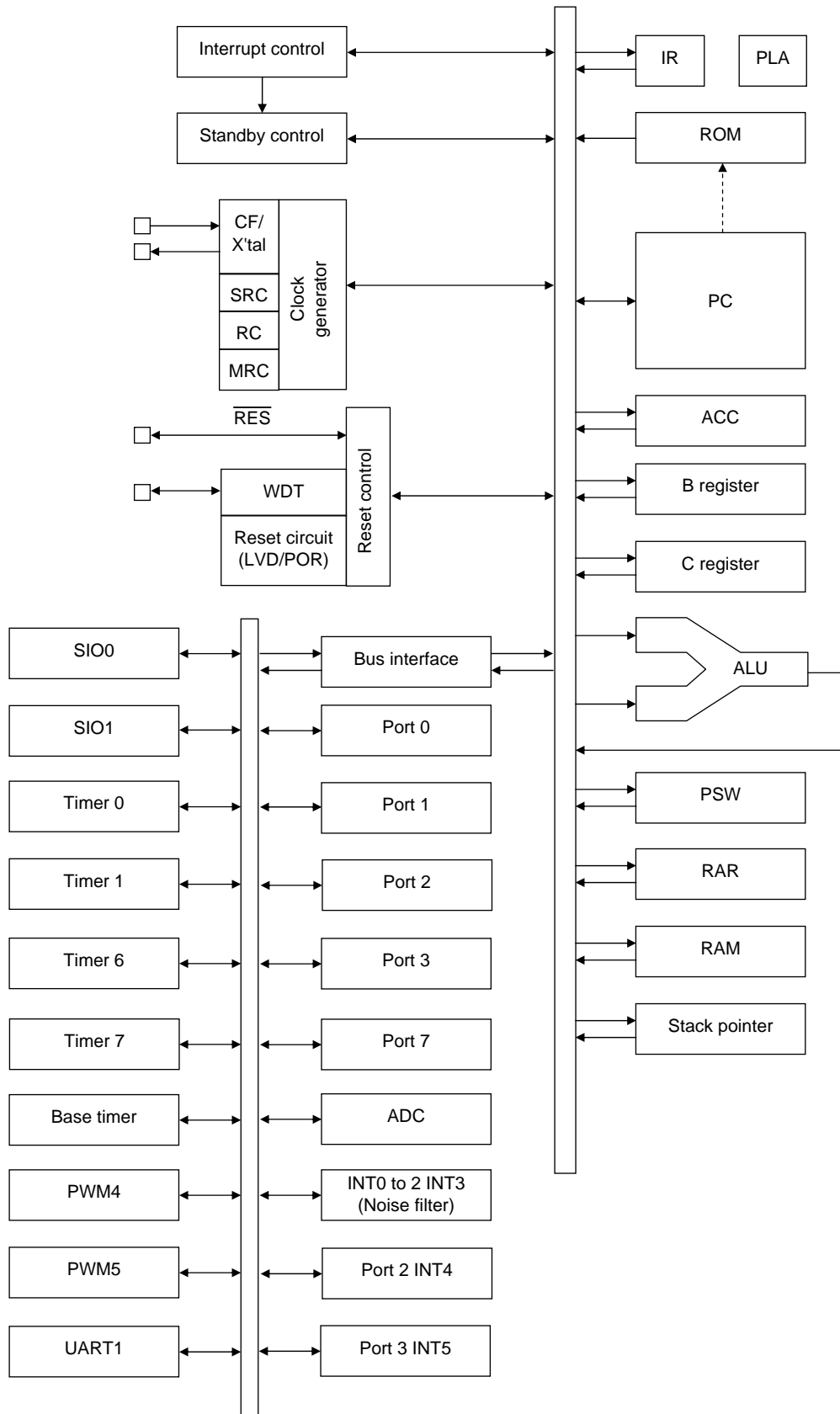
SANYO: QFP36 (7×7) “Lead-free Type”

QFP36	NAME
1	P73/INT3/T0IN
2	RES
3	I.C.
4	V <sub>SS</sub> 1
5	CF1/XT1
6	CF2/XT2
7	V <sub>DD</sub> 1
8	P10/SO0
9	P11/SI0/SB0
10	P12/SCK0
11	P13/SO1
12	P14/SI1/SB1
13	P15/SCK1
14	N.C.
15	N.C.
16	P16/T1PWML
17	P17/T1PWMH/BUZ
18	P20/UTX/INT4/T1IN

QFP36	NAME
19	P21/URX/INT4/T1IN
20	P30/PWM4/INT5/T1IN
21	P31/PWM5/INT5/T1IN
22	N.C.
23	V <sub>SS</sub> 2
24	P00/AN0
25	P01/AN1
26	P02/AN2
27	P03/AN3
28	P04/AN4
29	P05/AN5/CKO
30	P06/AN6/T6O
31	P07/T7O
32	N.C.
33	N.C.
34	P70/INT0/T0LCP/AN8
35	P71/INT1/T0HCP/AN9
36	P72/INT2/T0IN

Note I.C. and N.C. pins must be held open (disconnected).

System Block Diagram



# LC872H08A/06A/04A

## Pin Description

Pin Name	I/O	Description	Option												
V <sub>SS1</sub> ,V <sub>SS2</sub>	-	- power supply pins	No												
V <sub>DD1</sub>	-	+ power supply pin	No												
Port 0 P00 to P07	I/O	<ul style="list-style-type: none"> <li>• 8-bit I/O port</li> <li>• I/O specifiable in 4-bit units</li> <li>• Pull-up resistors can be turned on and off in 4-bit units.</li> <li>• HOLD reset input</li> <li>• Port 0 interrupt input</li> <li>• Pin functions                             <ul style="list-style-type: none"> <li>P05: System clock output</li> <li>P06: Timer 6 toggle output</li> <li>P07: Timer 7 toggle output</li> <li>P00(AN0) to P06(AN6):AD converter input</li> </ul> </li> </ul>	Yes												
Port 1 P10 to P17	I/O	<ul style="list-style-type: none"> <li>• 8-bit I/O port</li> <li>• I/O specifiable in 1-bit units</li> <li>• Pull-up resistors can be turned on and off in 1-bit units.</li> <li>• Pin functions                             <table style="width: 100%; border: none;"> <tr> <td style="width: 50%;">P10: SIO0 data output</td> <td style="width: 50%;">P14: SIO1 data input/bus I/O</td> </tr> <tr> <td>P11: SIO0 data input/bus I/O</td> <td>P15: SIO1 clock I/O</td> </tr> <tr> <td>P12: SIO0 clock I/O</td> <td>P16: Timer 1 PWML output</td> </tr> <tr> <td>P13: SIO1 data output</td> <td>P17: Timer 1 PWMH output/beeper output</td> </tr> </table> </li> </ul>	P10: SIO0 data output	P14: SIO1 data input/bus I/O	P11: SIO0 data input/bus I/O	P15: SIO1 clock I/O	P12: SIO0 clock I/O	P16: Timer 1 PWML output	P13: SIO1 data output	P17: Timer 1 PWMH output/beeper output	Yes				
P10: SIO0 data output	P14: SIO1 data input/bus I/O														
P11: SIO0 data input/bus I/O	P15: SIO1 clock I/O														
P12: SIO0 clock I/O	P16: Timer 1 PWML output														
P13: SIO1 data output	P17: Timer 1 PWMH output/beeper output														
Port 2 P20 to P21	I/O	<ul style="list-style-type: none"> <li>• 2-bit I/O port</li> <li>• I/O specifiable in 1-bit units</li> <li>• Pull-up resistors can be turned on and off in 1-bit units.</li> <li>• Pin functions                             <ul style="list-style-type: none"> <li>P20: UART transmit</li> <li>P21: UART receive</li> <li>P20 to P21: INT4 input/HOLD reset input/timer 1 event input/timer 0L capture input/timer 0H capture input</li> </ul> </li> </ul> <p>Interrupt acknowledge types</p> <table border="1" style="width: 100%; border-collapse: collapse; text-align: center;"> <thead> <tr> <th></th> <th>Rising</th> <th>Falling</th> <th>Rising &amp; Falling</th> <th>H level</th> <th>L level</th> </tr> </thead> <tbody> <tr> <td>INT4</td> <td>enable</td> <td>enable</td> <td>enable</td> <td>disable</td> <td>disable</td> </tr> </tbody> </table>		Rising	Falling	Rising & Falling	H level	L level	INT4	enable	enable	enable	disable	disable	Yes
	Rising	Falling	Rising & Falling	H level	L level										
INT4	enable	enable	enable	disable	disable										
Port 3 P30 to P31	I/O	<ul style="list-style-type: none"> <li>• 2-bit I/O port</li> <li>• I/O specifiable in 1-bit units</li> <li>• Pull-up resistors can be turned on and off in 1-bit units.</li> <li>• Pin functions                             <ul style="list-style-type: none"> <li>P30: PWM4 output</li> <li>P31: PWM5 output</li> <li>P30 to P31: INT5 input/HOLD reset input/timer 1 event input/timer 0L capture input/timer 0H capture input</li> </ul> </li> </ul> <p>Interrupt acknowledge types</p> <table border="1" style="width: 100%; border-collapse: collapse; text-align: center;"> <thead> <tr> <th></th> <th>Rising</th> <th>Falling</th> <th>Rising &amp; Falling</th> <th>H level</th> <th>L level</th> </tr> </thead> <tbody> <tr> <td>INT5</td> <td>enable</td> <td>enable</td> <td>enable</td> <td>disable</td> <td>disable</td> </tr> </tbody> </table>		Rising	Falling	Rising & Falling	H level	L level	INT5	enable	enable	enable	disable	disable	Yes
	Rising	Falling	Rising & Falling	H level	L level										
INT5	enable	enable	enable	disable	disable										

Continued on next page.



# LC872H08A/06A/04A

Continued from preceding page.

Pin Name	I/O	Description	Option																														
Port 7	I/O	<ul style="list-style-type: none"> <li>• 4-bit I/O port</li> <li>• I/O specifiable in 1-bit units</li> <li>• Pull-up resistors can be turned on and off in 1-bit units.</li> <li>• Pin functions</li> </ul> P70: INT0 input/HOLD reset input/timer 0L capture input/watchdog timer output P71: INT1 input/HOLD reset input/timer 0H capture input P72: INT2 input/HOLD reset input/timer 0 event input/timer 0L capture input P73: INT3 input (input with noise filter)/timer 0 event input/timer 0H capture input P70(AN8),P71(AN9) : AD converter input Interrupt acknowledge types <table border="1" style="width: 100%; border-collapse: collapse; text-align: center;"> <thead> <tr> <th></th> <th>Rising</th> <th>Falling</th> <th>Rising &amp; Falling</th> <th>H level</th> <th>L level</th> </tr> </thead> <tbody> <tr> <td>INT0</td> <td>enable</td> <td>enable</td> <td>disable</td> <td>enable</td> <td>enable</td> </tr> <tr> <td>INT1</td> <td>enable</td> <td>enable</td> <td>disable</td> <td>enable</td> <td>enable</td> </tr> <tr> <td>INT2</td> <td>enable</td> <td>enable</td> <td>enable</td> <td>disable</td> <td>disable</td> </tr> <tr> <td>INT3</td> <td>enable</td> <td>enable</td> <td>enable</td> <td>disable</td> <td>disable</td> </tr> </tbody> </table>		Rising	Falling	Rising & Falling	H level	L level	INT0	enable	enable	disable	enable	enable	INT1	enable	enable	disable	enable	enable	INT2	enable	enable	enable	disable	disable	INT3	enable	enable	enable	disable	disable	No
			Rising	Falling	Rising & Falling	H level	L level																										
INT0	enable	enable	disable	enable	enable																												
INT1	enable	enable	disable	enable	enable																												
INT2	enable	enable	enable	disable	disable																												
INT3	enable	enable	enable	disable	disable																												
P70 to P73																																	
RES	I/O	External reset Input/internal reset output	No																														
CF1/XT1	I	<ul style="list-style-type: none"> <li>• Ceramic resonator or 32.768kHz crystal oscillator input pin</li> <li>• Pin function</li> </ul> General-purpose input port	No																														
CF2/XT2	I/O	<ul style="list-style-type: none"> <li>• Ceramic resonator or 32.768kHz crystal oscillator output pin</li> <li>• Pin function</li> </ul> General-purpose input port	No																														

## Port Output Types

The table below lists the types of port outputs and the presence/absence of a pull-up resistor.

Data can be read into any input port even if it is in the output mode.

Port Name	Option selected in units of	Option type	Output type	Pull-up resistor
P00 to P07	1 bit	1	CMOS	Programmable (Note 1)
		2	Nch-open drain	No
P10 to P17	1 bit	1	CMOS	Programmable
		2	Nch-open drain	Programmable
P20 to P21	1 bit	1	CMOS	Programmable
		2	Nch-open drain	Programmable
P30 to P31	1 bit	1	CMOS	Programmable
		2	Nch-open drain	Programmable
P70	-	No	Nch-open drain	Programmable
P71 to P73	-	No	CMOS	Programmable

Note 1: The control of the presence or absence of the programmable pull-up resistors for port 0 and the switching between low-and high-impedance pull-up connection is exercised in nibble (4-bit) units (P00 to 03 or P04 to 07).

# LC872H08A/06A/04A

## User Option Table

Option Name	Option to be Applied on	Mask-ROM Version *1	Flash-ROM Version	Option Selected in Units of	Option Selection
Port output type	P00 to P07	○	○	1 bit	CMOS
					Nch-open drain
	P10 to P17	○	○	1 bit	CMOS
					Nch-open drain
	P20 to P21	○	○	1 bit	CMOS
					Nch-open drain
	P30 to P31	○	○	1 bit	CMOS
					Nch-open drain
Program start address	-	× *2	○	-	00000h
					01E00h
Low-voltage detection reset function	Detect function	○	○	-	Enable:Use
					Disable:Not Used
Detect level	○	○	○	-	7-level
					8-level
Power-on reset function	Power-On reset level	○	○	-	8-level

\*1: Mask option selection – No change possible after mask is completed.

\*2: Program start address of the mask version is 00000h.

## Recommended Unused Pin Connections

Port Name	Recommended Unused Pin Connections	
	Board	Software
P00 to P07	Open	Output low
P10 to P17	Open	Output low
P20 to P21	Open	Output low
P30 to P31	Open	Output low
P70 to P73	Open	Output low
CF1/XT1	Pulled low with a 100kΩ resistor or less	General-purpose input port
CF2/XT2	Pulled low with a 100kΩ resistor or less	General-purpose input port

### Notes on CF1/XT1 and CF2/XT2 pins

- When using as general-purpose input ports

Since the CF1/XT1 and CF2/XT2 pins are configured as CF oscillator pins at system reset time, it is necessary to add a current limiting resistor of 1kΩ or greater to the CF2/XT2 pin in series when using them as general-purpose input pins.

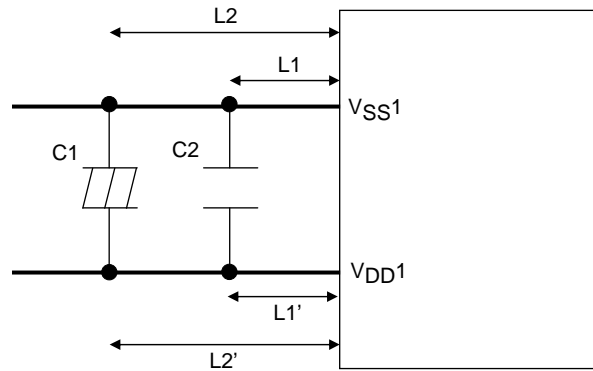
- Differences between flash and mask ROM version

		System Reset Time State	After System Reset is Released
Flash ROM version LC87F2H08A	CF1/XT1	Set high via the internal Rf resistor	CF oscillation state
	CF2/XT2	Set high	CF oscillation state
Mask ROM version LC872H08A/06A/04A	CF1/XT1	Set low via the internal Rf resistor	CF oscillation state
	CF2/XT2	Set low	CF oscillation state

## Power Pin Treatment Recommendations (V<sub>DD1</sub>, V<sub>SS1</sub>)

Connect bypass capacitors that meet the following conditions between the V<sub>DD1</sub> and V<sub>SS1</sub> pins:

- Connect among the V<sub>DD1</sub> and V<sub>SS1</sub> pins and bypass capacitors C1 and C2 with the shortest possible heavy lead wires, making sure that the impedances between the both pins and the bypass capacitors are as equal as possible ( $L1=L1'$ ,  $L2=L2'$ ).
- Connect a large-capacity capacitor C1 and a small-capacity capacitor C2 in parallel.  
The capacitance of C2 should be approximately 0.1 $\mu$ F.



Note: Be sure to electrically short-circuit between the V<sub>SS1</sub> and V<sub>SS2</sub> pins.

## LC872H08A/06A/04A

### Absolute Maximum Ratings at $T_a = 25^\circ\text{C}$ , $V_{SS1} = V_{SS2} = 0\text{V}$

Parameter	Symbol	Pin/Remarks	Conditions	Specification				unit
				$V_{DD}[\text{V}]$	min	typ	max	
Maximum supply voltage	$V_{DD \text{ max}}$	$V_{DD1}$			-0.3		+6.5	V
Input voltage	$V_I$	CF1, CF2			-0.3		$V_{DD}+0.3$	
Input/output voltage	$V_{IO}$	Ports 0, 1, 2, 3 Port 7			-0.3		$V_{DD}+0.3$	
High level output current	Peak output current	IOPH(1)	Ports 0, 1, 2, 3	CMOS output select Per 1 applicable pin			-10	mA
		IOPH(2)	P71 to P73	Per 1 applicable pin			-5	
	Mean output current (Note 1-1)	IOMH(1)	Ports 0, 1, 2, 3	CMOS output select Per 1 applicable pin			-7.5	
		IOMH(2)	P71 to P73	Per 1 applicable pin			-3	
	Total output current	$\Sigma\text{IOAH}(1)$	P71 to P73	Total of all applicable pins			-10	
		$\Sigma\text{IOAH}(2)$	P10 to P14	Total of all applicable pins			-20	
		$\Sigma\text{IOAH}(3)$	P15 to P17 Ports 0, 2, 3	Total of all applicable pins			-20	
$\Sigma\text{IOAH}(4)$		Ports 0, 1, 2, 3	Total of all applicable pins			-25		
Low level output current	Peak output current	IOPL(1)	P02 to P07 Ports 1, 2, 3	Per 1 applicable pin			20	
		IOPL(2)	P00, P01	Per 1 applicable pin			30	
		IOPL(3)	Port 7	Per 1 applicable pin			10	
	Mean output current (Note 1-1)	IOML(1)	P02 to P07 Ports 1, 2, 3	Per 1 applicable pin			15	
		IOML(2)	P00, P01	Per 1 applicable pin			20	
		IOML(3)	Port 7	Per 1 applicable pin			7.5	
	Total output current	$\Sigma\text{IOAL}(1)$	Port 7	Total of all applicable pins			15	
		$\Sigma\text{IOAL}(2)$	Port 0	Total of all applicable pins			40	
		$\Sigma\text{IOAL}(3)$	P10 to P14	Total of all applicable pins			35	
		$\Sigma\text{IOAL}(4)$	Ports 1, 2, 3	Total of all applicable pins			40	
$\Sigma\text{IOAL}(5)$		Ports 0, 1, 2, 3	Total of all applicable pins			70		
Power Dissipation	$P_d \text{ max}(1)$	QFP36(7×7)	$T_a = -40$ to $+85^\circ\text{C}$ Package only				120	mW
	$P_d \text{ max}(2)$		$T_a = -40$ to $+85^\circ\text{C}$ Package with thermal resistance board (Note 1-2)				265	
Operating ambient Temperature	$T_{opr}$				-40		+85	$^\circ\text{C}$
Storage ambient temperature	$T_{stg}$				-55		+125	

Note 1-1: The mean output current is a mean value measured over 100ms.

Note 1-2: SEMI standards thermal resistance board (size: 76.1×114.3×1.6tmm, glass epoxy) is used.

# LC872H08A/06A/04A

## Allowable Operating Conditions at Ta = -40°C to +85°C, VSS1 = VSS2 = 0V

Parameter	Symbol	Pin/Remarks	Conditions	Specification				unit
				VDD[V]	min	typ	max	
Operating supply voltage	VDD(1)	VDD1	0.245μs ≤ tCYC ≤ 200μs		2.7		5.5	V
	VDD(2)		0.294μs ≤ tCYC ≤ 200μs		2.2		5.5	
	VDD(3)		0.735μs ≤ tCYC ≤ 200μs		1.8		5.5	
Memory sustaining supply voltage	VHD	VDD1	RAM and register contents sustained in HOLD mode.		1.6			
High level input voltage	VIH(1)	Ports 1, 2, 3, P71 to P73 P70 port input/ interrupt side		1.8 to 5.5	0.3VDD+0.7		VDD	V
	VIH(2)	Ports 0		1.8 to 5.5	0.3VDD+0.7		VDD	
	VIH(3)	Port 70 watchdog timer side		1.8 to 5.5	0.9VDD		VDD	
	VIH(4)	CF1, RES		1.8 to 5.5	0.75VDD		VDD	
Low level input voltage	VIL(1)	Ports 1, 2, 3, P71 to P73 P70 port input/ interrupt side		4.0 to 5.5	VSS		0.1VDD+0.4	
				1.8 to 4.0	VSS		0.2VDD	
	VIL(2)	Ports 0		4.0 to 5.5	VSS		0.15VDD+0.4	
				1.8 to 4.0	VSS		0.2VDD	
	VIL(3)	Port 70 watchdog timer side		1.8 to 5.5	VSS		0.8VDD-1.0	
VIL(4)	CF1, RES		1.8 to 5.5	VSS		0.25VDD		
Instruction cycle time	tCYC (Note 2-1)			2.7 to 5.5	0.245		200	μs
				2.2 to 5.5	0.294		200	
				1.8 to 5.5	0.735		200	
External system clock frequency	FEXCF	CF1	<ul style="list-style-type: none"> <li>• CF2 pin open</li> <li>• System clock frequency division ratio=1/1</li> <li>• External system clock duty=50±5%</li> </ul>	2.7 to 5.5	0.1		12	MHz
				1.8 to 5.5	0.1		4	
				3.0 to 5.5	0.2		24.4	
Oscillation frequency range (Note 2-2)	FmCF(1)	CF1, CF2	12MHz ceramic oscillation See Fig. 1.	2.7 to 5.5		12		MHz
	FmCF(2)	CF1, CF2	10MHz ceramic oscillation See Fig. 1.	2.2 to 5.5		10		
	FmCF(3)	CF1, CF2	4MHz ceramic oscillation. CF oscillation normal amplifier size selected. (CFLAMP=0) See Fig. 1.	1.8 to 5.5		4		
			4MHz ceramic oscillation. CF oscillation low amplifier size selected. (CFLAMP=1) See Fig. 1.	2.2 to 5.5		4		
	FmMRC		Frequency variable RC oscillation. 1/2 frequency division ratio. (RCCTD=0) (Note 2-3)	2.7 to 5.5	7.44	8.0	8.56	
	FmRC		Internal medium-speed RC oscillation	1.8 to 5.5	0.5	1.0	2.0	
	FmSRC		Internal low-speed RC oscillation	1.8 to 5.5	50	100	200	
FsX'tal	XT1, XT2	32.768kHz crystal oscillation See Fig. 2.	1.8 to 5.5		32.768		kHz	

Note 2-1: Relationship between tCYC and oscillation frequency is 3/FmCF at a division ratio of 1/1 and 6/FmCF at a division ratio of 1/2.

Note 2-2: See Tables 1 and 2 for the oscillation constants.

Note 2-3: When switching the system clock, allow an oscillation stabilization time of 100μs or longer after the multifrequency RC oscillator circuit transmits from the "oscillation stopped" to "oscillation enabled" state.

## LC872H08A/06A/04A

### Electrical Characteristics at Ta = -40°C to +85°C, VSS1 = VSS2 = 0V

Parameter	Symbol	Pin/Remarks	Conditions	Specification					
				VDD[V]	min	typ	max	unit	
High level input current	I <sub>IH</sub> (1)	Ports 0, 1, 2, 3 Port 7 $\overline{\text{RES}}$	Output disabled Pull-up resistor off V <sub>IN</sub> =V <sub>DD</sub> (Including output Tr's off leakage current)	1.8 to 5.5			1	μA	
	I <sub>IH</sub> (2)	CF1	V <sub>IN</sub> =V <sub>DD</sub>	1.8 to 5.5			15		
Low level input current	I <sub>IL</sub> (1)	Ports 0, 1, 2, 3 Port 7 $\overline{\text{RES}}$	Output disabled Pull-up resistor off V <sub>IN</sub> =V <sub>SS</sub> (Including output Tr's off leakage current)	1.8 to 5.5		-1		μA	
	I <sub>IL</sub> (2)	CF1	V <sub>IN</sub> =V <sub>SS</sub>	1.8 to 5.5		-15			
High level output voltage	V <sub>OH</sub> (1)	Ports 0, 1, 2 P71 to P73	I <sub>OH</sub> =-1mA	4.5 to 5.5	V <sub>DD</sub> -1			V	
	V <sub>OH</sub> (2)		I <sub>OH</sub> =-0.35mA	2.7 to 5.5	V <sub>DD</sub> -0.4				
	V <sub>OH</sub> (3)		I <sub>OH</sub> =-0.15mA	1.8 to 5.5	V <sub>DD</sub> -0.4				
	V <sub>OH</sub> (4)	Port 3	I <sub>OH</sub> =-6mA	4.5 to 5.5	V <sub>DD</sub> -1				
	V <sub>OH</sub> (5)		I <sub>OH</sub> =-1.4mA	2.7 to 5.5	V <sub>DD</sub> -0.4				
	V <sub>OH</sub> (6)		I <sub>OH</sub> =-0.8mA	1.8 to 5.5	V <sub>DD</sub> -0.4				
Low level output voltage	V <sub>OL</sub> (1)	Ports 0, 1, 2, 3	I <sub>OL</sub> =10mA	4.5 to 5.5			1.5	V	
	V <sub>OL</sub> (2)		I <sub>OL</sub> =1.4mA	2.7 to 5.5			0.4		
	V <sub>OL</sub> (3)		I <sub>OL</sub> =0.8mA	1.8 to 5.5			0.4		
	V <sub>OL</sub> (4)	Port 7	I <sub>OL</sub> =1.4mA	2.7 to 5.5			0.4		
	V <sub>OL</sub> (5)		I <sub>OL</sub> =0.8mA	1.8 to 5.5			0.4		
	V <sub>OL</sub> (6)	P00, P01	I <sub>OL</sub> =25mA	4.5 to 5.5			1.5		
	V <sub>OL</sub> (7)		I <sub>OL</sub> =4mA	2.7 to 5.5			0.4		
	V <sub>OL</sub> (8)		I <sub>OL</sub> =2mA	1.8 to 5.5			0.4		
Pull-up resistance	R <sub>pu</sub> (1)	Ports 0, 1, 2, 3 Port 7	V <sub>OH</sub> =0.9V <sub>DD</sub> When Port 0 selected low-impedance pull-up.	4.5 to 5.5		15	35	80	kΩ
	R <sub>pu</sub> (2)			1.8 to 4.5		18	50	230	
	R <sub>pu</sub> (3)	Port 0	V <sub>OH</sub> =0.9V <sub>DD</sub> When Port 0 selected high-impedance pull-up.	1.8 to 5.5		100	210	400	
Hysteresis voltage	V <sub>HYS</sub> (1)	Ports 1, 2, 3, 7 $\overline{\text{RES}}$		2.7 to 5.5			0.1V <sub>DD</sub>	V	
	V <sub>HYS</sub> (2)			1.8 to 2.7			0.07V <sub>DD</sub>		
Pin capacitance	CP	All pins	For pins other than that under test: V <sub>IN</sub> =V <sub>SS</sub> f=1MHz Ta=25°C	1.8 to 5.5			10	pF	

# LC872H08A/06A/04A

**Serial I/O Characteristics** at Ta = -40°C to +85°C, VSS1 = VSS2 = 0V

## 1. SIO0 Serial I/O Characteristics (Note 4-1-1)

Parameter		Symbol	Pin/ Remarks	Conditions	V <sub>DD</sub> [V]	Specification				
						min	typ	max	unit	
Serial clock	Input clock	Frequency	tSCK(1)	SCK0(P12)	• See Fig. 5.	1.8 to 5.5	2			tCYC
		Low level pulse width	tSCKL(1)				1			
		High level pulse width	tSCKH(1)				1			
	Output clock	Frequency	tSCK(2)	SCK0(P12)	• CMOS output selected • See Fig. 5.	1.8 to 5.5	4/3			tSCK
		Low level pulse width	tSCKL(2)				1/2			
		High level pulse width	tSCKH(2)				1/2			
Serial input	Data setup time	tsDI(1)	SB0(P11), SIO(P11)	• Must be specified with respect to rising edge of SIOCLK. • See Fig. 5.	1.8 to 5.5	0.05				
	Data hold time	thDI(1)				0.05				
Serial output	Input clock	Output delay time	tdD0(1)	SO0(P10), SB0(P11)	1.8 to 5.5			(1/3)tCYC +0.08	μs	
			tdD0(2)					1tCYC +0.08		
	Output clock	tdD0(3)					(1/3)tCYC +0.08			

Note 4-1-1: These specifications are theoretical values. Add margin depending on its use.

Note 4-1-2: Must be specified with respect to falling edge of SIOCLK. Must be specified as the time to the beginning of output state change in open drain output mode. See Fig. 5.

## 2. SIO1 Serial I/O Characteristics (Note 4-2-1)

Parameter		Symbol	Pin/ Remarks	Conditions	V <sub>DD</sub> [V]	Specification				
						min	typ	max	unit	
Serial clock	Input clock	Frequency	tSCK(3)	SCK1(P15)	See Fig. 5.	1.8 to 5.5	2			tCYC
		Low level pulse width	tSCKL(3)				1			
		High level pulse width	tSCKH(3)				1			
	Output clock	Frequency	tSCK(4)	SCK1(P15)	• CMOS output selected • See Fig. 5.	1.8 to 5.5	2			tSCK
		Low level pulse width	tSCKL(4)				1/2			
		High level pulse width	tSCKH(4)				1/2			
Serial input	Data setup time	tsDI(2)	SB1(P14), S11(P14)	• Must be specified with respect to rising edge of SIOCLK. • See Fig. 5.	1.8 to 5.5	0.05				
	Data hold time	thDI(2)				0.05				
Serial output	Output delay time	tdD0(4)	SO1(P13), SB1(P14)	• Must be specified with respect to falling edge of SIOCLK. • Must be specified as the time to the beginning of output state change in open drain output mode. • See Fig. 5.	1.8 to 5.5			(1/3)tCYC +0.08	μs	

Note 4-2-1: These specifications are theoretical values. Add margin depending on its use.

## LC872H08A/06A/04A

### Pulse Input Conditions at Ta = -40°C to +85°C, VSS1 = VSS2 = 0V

Parameter	Symbol	Pin/Remarks	Conditions	Specification				
				V <sub>DD</sub> [V]	min	typ	max	unit
High/low level pulse width	tPIH(1) tPIL(1)	INT0(P70), INT1(P71), INT2(P72), INT4(P20 to P21), INT5(P30 to P31)	<ul style="list-style-type: none"> <li>Interrupt source flag can be set.</li> <li>Event inputs for timer 0 or 1 are enabled.</li> </ul>	1.8 to 5.5	1			tCYC
	tPIH(2) tPIL(2)	INT3(P73) when noise filter time constant is 1/1	<ul style="list-style-type: none"> <li>Interrupt source flag can be set.</li> <li>Event inputs for timer 0 are enabled.</li> </ul>	1.8 to 5.5	2			
	tPIH(3) tPIL(3)	INT3(P73) when noise filter time constant is 1/32	<ul style="list-style-type: none"> <li>Interrupt source flag can be set.</li> <li>Event inputs for timer 0 are enabled.</li> </ul>	1.8 to 5.5	64			
	tPIH(4) tPIL(4)	INT3(P73) when noise filter time constant is 1/128	<ul style="list-style-type: none"> <li>Interrupt source flag can be set.</li> <li>Event inputs for timer 0 are enabled.</li> </ul>	1.8 to 5.5	256			
	tPIL(5)	$\overline{\text{RES}}$	<ul style="list-style-type: none"> <li>Resetting is enabled.</li> </ul>	1.8 to 5.5	200			μs



## LC872H08A/06A/04A

### AD Converter Characteristics at $V_{SS1} = V_{SS2} = 0V$

<12bits AD Converter Mode/ $T_a = -40^{\circ}C$  to  $+85^{\circ}C$ >

Parameter	Symbol	Pin/Remarks	Conditions	Specification					
				$V_{DD}[V]$	min	typ	max	unit	
Resolution	N	AN0(P00) to AN6(P06), AN8(P70), AN9(P71)		2.4 to 5.5		12		bit	
Absolute accuracy	ET		(Note 6-1)	3.0 to 5.5			$\pm 16$	LSB	
			(Note 6-1)	2.4 to 3.6			$\pm 20$		
Conversion time	TCAD		• See Conversion time calculation formulas. (Note 6-2)	4.0 to 5.5		32		115	$\mu s$
				3.0 to 5.5		64			
• See Conversion time calculation formulas. (Note 6-2)			2.4 to 3.6		410		425		
Analog input voltage range	VAIN		2.4 to 5.5	$V_{SS}$		$V_{DD}$	V		
Analog port input current	IAINH	$VAIN = V_{DD}$	2.4 to 5.5			1	$\mu A$		
	IAINL	$VAIN = V_{SS}$	2.4 to 5.5	-1					

<8bits AD Converter Mode/ $T_a = -40^{\circ}C$  to  $+85^{\circ}C$ >

Parameter	Symbol	Pin/Remarks	Conditions	Specification					
				$V_{DD}[V]$	min	typ	max	unit	
Resolution	N	AN0(P00) to AN6(P06) AN8(P70) AN9(P71)		2.4 to 5.5		8		bit	
Absolute accuracy	ET		(Note 6-1)	2.4 to 5.5			$\pm 1.5$	LSB	
Conversion time	TCAD		• See Conversion time calculation formulas. (Note 6-2)	4.0 to 5.5		20		90	$\mu s$
				3.0 to 5.5		40			
• See Conversion time calculation formulas. (Note 6-2)			2.4 to 3.6		250		265		
Analog input voltage range	VAIN		2.4 to 5.5	$V_{SS}$		$V_{DD}$	V		
Analog port input current	IAINH	$VAIN = V_{DD}$	2.4 to 5.5			1	$\mu A$		
	IAINL	$VAIN = V_{SS}$	2.4 to 5.5	-1					

Conversion time calculation formulas:

12bits AD Converter Mode:  $TCAD(\text{Conversion time}) = ((52/(\text{AD division ratio}))+2) \times (1/3) \times tCYC$

8bits AD Converter Mode:  $TCAD(\text{Conversion time}) = ((32/(\text{AD division ratio}))+2) \times (1/3) \times tCYC$

External oscillation (FmCF)	Operating supply voltage range ( $V_{DD}$ )	System division ratio (SYSDIV)	Cycle time (tCYC)	AD division ratio (ADDIV)	AD conversion time (TCAD)	
					12bit AD	8bit AD
CF-12MHz	4.0V to 5.5V	1/1	250ns	1/8	34.8 $\mu s$	21.5 $\mu s$
	3.0V to 5.5V	1/1	250ns	1/16	69.5 $\mu s$	42.8 $\mu s$
CF-10MHz	4.0V to 5.5V	1/1	300ns	1/8	41.8 $\mu s$	25.8 $\mu s$
	3.0V to 5.5V	1/1	300ns	1/16	83.4 $\mu s$	51.4 $\mu s$
CF-4MHz	3.0V to 5.5V	1/1	750ns	1/8	104.5 $\mu s$	64.5 $\mu s$
	2.4V to 3.6V	1/1	750ns	1/32	416.5 $\mu s$	256.5 $\mu s$

Note 6-1: The quantization error ( $\pm 1/2LSB$ ) must be excluded from the absolute accuracy. The absolute accuracy must be measured in the microcontroller's state in which no I/O operations occur at the pins adjacent to the analog input channel.

Note 6-2: The conversion time refers to the period from the time an instruction for starting a conversion process till the time the conversion results register(s) are loaded with a complete digital conversion value corresponding to the analog input value.

The conversion time is 2 times the normal-time conversion time when:

- The first AD conversion is performed in the 12-bit AD conversion mode after a system reset.
- The first AD conversion is performed after the AD conversion mode is switched from 8-bit to 12-bit conversion mode.

## LC872H08A/06A/04A

### Power-on Reset (POR) Characteristics at Ta = -40°C to +85°C, VSS1=VSS2=0V

Parameter	Symbol	Pin/Remarks	Conditions	Specification				
				Option selected voltage	min	typ	max	unit
POR release voltage	PORRL		<ul style="list-style-type: none"> <li>Select from option. (Note 7-1)</li> </ul>	1.67V	1.55	1.67	1.79	V
				1.97V	1.85	1.97	2.09	
				2.07V	1.95	2.07	2.19	
				2.37V	2.25	2.37	2.49	
				2.57V	2.45	2.57	2.69	
				2.87V	2.75	2.87	2.99	
				3.86V	3.73	3.86	3.99	
				4.35V	4.21	4.35	4.49	
Detection voltage unknown state	POUKS		<ul style="list-style-type: none"> <li>See Fig. 7. (Note 7-2)</li> </ul>			0.7	0.95	
Power supply rise time	PORIS		<ul style="list-style-type: none"> <li>Power supply rise time from 0V to 1.6V.</li> </ul>				100	ms

Note7-1: The POR release level can be selected out of 8 levels only when the LVD reset function is disabled.

Note7-2: POR is in an unknown state before transistors start operation.

### Low Voltage Detection Reset (LVD) Characteristics at Ta = -40°C to +85°C, VSS1=VSS2=0V

Parameter	Symbol	Pin/Remarks	Conditions	Specification				
				Option selected voltage	min	typ	max	unit
LVD reset Voltage (Note 8-2)	LVDET		<ul style="list-style-type: none"> <li>Select from option. (Note 8-1) (Note 8-3)</li> <li>See Fig. 8.</li> </ul>	1.91V	1.81	1.91	2.01	V
				2.01V	1.91	2.01	2.11	
				2.31V	2.21	2.31	2.41	
				2.51V	2.41	2.51	2.61	
				2.81V	2.71	2.81	2.91	
				3.79V	3.69	3.79	3.89	
				4.28V	4.18	4.28	4.38	
LVD hysteresys width	LVHYS			1.91V		55		mV
				2.01V		55		
				2.31V		55		
				2.51V		55		
				2.81V		60		
				3.79V		65		
				4.28V		65		
Detection voltage unknown state	LVUKS		<ul style="list-style-type: none"> <li>See Fig. 8. (Note 8-4)</li> </ul>			0.7	0.95	V
Low voltage detection minimum Width (Reply sensitivity)	TLVDW		<ul style="list-style-type: none"> <li>LVDET-0.5V</li> <li>See Fig. 9.</li> </ul>		0.2			ms

Note8-1: The LVD reset level can be selected out of 7 levels only when the LVD reset function is enabled.

Note8-2: LVD reset voltage specification values do not include hysteresis voltage.

Note8-3: LVD reset voltage may exceed its specification values when port output state changes and/or when a large current flows through port.

Note8-4: LVD is in an unknown state before transistors start operation.

# LC872H08A/06A/04A

## Consumption Current Characteristics at Ta = -40°C to +85°C, VSS1 = VSS2 = 0V

Parameter	Symbol	Pin/ Remarks	Conditions	Specification				
				VDD[V]	min	typ	max	unit
Normal mode consumption current (Note 9-1) (Note 9-2)	IDDOP(1)	VDD1	<ul style="list-style-type: none"> <li>FmCF=12MHz ceramic oscillation mode</li> <li>System clock set to 12MHz side</li> <li>Internal low speed and medium speed RC oscillation stopped.</li> </ul>	2.7 to 5.5		6.2	10.5	mA
				2.7 to 3.6		3.5	5.8	
	IDDOP(2)		<ul style="list-style-type: none"> <li>CF1=24MHz external clock</li> <li>System clock set to CF1 side</li> <li>Internal low speed and medium speed RC oscillation stopped.</li> </ul>	3.0 to 5.5		6.6	11.2	
				3.0 to 3.6		3.8	6.3	
	IDDOP(3)		<ul style="list-style-type: none"> <li>FmCF=10MHz ceramic oscillation mode</li> <li>System clock set to 10MHz side</li> <li>Internal low speed and medium speed RC oscillation stopped.</li> </ul>	2.2 to 5.5		5.3	9.5	
				2.2 to 3.6		3.0	5.3	
	IDDOP(4)		<ul style="list-style-type: none"> <li>FmCF=4MHz ceramic oscillation mode</li> <li>System clock set to 4MHz side</li> <li>Internal low speed and medium speed RC oscillation stopped.</li> </ul>	1.8 to 5.5		2.5	5.5	
				1.8 to 3.6		1.3	2.7	
	IDDOP(5)		<ul style="list-style-type: none"> <li>CF oscillation low amplifier size selected. (CFLAMP=1)</li> <li>FmCF=4MHz ceramic oscillation mode</li> <li>System clock set to 4MHz side</li> </ul>	2.2 to 5.5		0.9	2.2	
				2.2 to 3.6		0.5	1.0	
	IDDOP(6)		<ul style="list-style-type: none"> <li>FsX'tal=32.768kHz crystal oscillation mode</li> <li>Internal low speed RC oscillation stopped.</li> </ul>	1.8 to 5.5		0.5	1.3	
				1.8 to 3.6		0.3	0.6	
	IDDOP(7)		<ul style="list-style-type: none"> <li>FsX'tal=32.768kHz crystal oscillation mode</li> <li>Internal low speed and medium speed RC oscillation stopped.</li> </ul>	2.7 to 5.5		4.2	8.8	
				2.7 to 3.6		2.6	5.0	
	IDDOP(8)		<ul style="list-style-type: none"> <li>External FsX'tal and FmCF oscillation stopped.</li> <li>System clock set to internal low speed RC oscillation.</li> </ul>	1.8 to 5.5		55	197	
				1.8 to 3.6		33	108	
IDDOP(9)	<ul style="list-style-type: none"> <li>External FsX'tal and FmCF oscillation stopped.</li> <li>System clock set to internal low speed RC oscillation.</li> </ul>	5.0		55	153			
		3.3		33	90			
		2.5		23	64			
			<ul style="list-style-type: none"> <li>1/1 frequency division ratio</li> <li>Ta=-10 to +50°C</li> </ul>					μA

Note9-1: Values of the consumption current do not include current that flows into the output transistors and internal pull-up resistors.

Note9-2: The consumption current values do not include operational current of LVD function if not specified.

Continued on next page.

# LC872H08A/06A/04A

Continued from preceding page.

Parameter	Symbol	Pin/ Remarks	Conditions	Specification				unit
				V <sub>DD</sub> [V]	min	typ	max	
Normal mode consumption current (Note 9-1) (Note 9-2)	IDDOP(10)	V <sub>DD1</sub>	<ul style="list-style-type: none"> <li>FsX<sup>tal</sup>=32.768kHz crystal oscillation mode</li> <li>System clock set to 32.768kHz side</li> <li>Internal low speed and medium speed RC oscillation stopped.</li> </ul>	1.8 to 5.5		33	101	μA
			<ul style="list-style-type: none"> <li>Frequency variable RC oscillation stopped.</li> <li>1/2 frequency division ratio</li> </ul>	1.8 to 3.6		12	41	
	IDDOP(11)		<ul style="list-style-type: none"> <li>FsX<sup>tal</sup>=32.768kHz crystal oscillation mode</li> <li>System clock set to 32.768kHz side</li> <li>Internal low speed and medium speed RC oscillation stopped.</li> </ul>	5.0		33	68	
			<ul style="list-style-type: none"> <li>Frequency variable RC oscillation stopped.</li> <li>1/2 frequency division ratio</li> <li>Ta=-10 to +50°C</li> </ul>	3.3		12	27	
HALT mode consumption current (Note 9-1) (Note 9-2)	IDDHALT(1)	V <sub>DD1</sub>	<ul style="list-style-type: none"> <li>HALT mode</li> <li>FmCF=12MHz ceramic oscillation mode</li> <li>System clock set to 12MHz side</li> <li>Internal low speed and medium speed RC oscillation stopped.</li> </ul>	2.7 to 5.5		2.5	4.4	mA
			<ul style="list-style-type: none"> <li>Frequency variable RC oscillation stopped.</li> <li>1/1 frequency division ratio</li> </ul>	2.7 to 3.6		1.3	2.1	
	IDDHALT(2)		<ul style="list-style-type: none"> <li>HALT mode</li> <li>CF1=24MHz external clock</li> <li>System clock set to CF1 side</li> <li>Internal low speed and medium speed RC oscillation stopped.</li> </ul>	3.0 to 5.5		2.8	4.8	
			<ul style="list-style-type: none"> <li>Frequency variable RC oscillation stopped.</li> <li>1/2 frequency division ratio</li> </ul>	3.0 to 3.6		1.6	2.6	
	IDDHALT(3)		<ul style="list-style-type: none"> <li>HALT mode</li> <li>FmCF=10MHz ceramic oscillation mode</li> <li>System clock set to 10MHz side</li> <li>Internal low speed and medium speed RC oscillation stopped.</li> </ul>	2.2 to 5.5		2.2	3.9	
			<ul style="list-style-type: none"> <li>Frequency variable RC oscillation stopped.</li> <li>1/1 frequency division ratio</li> </ul>	2.2 to 3.6		1.1	1.9	
	IDDHALT(4)		<ul style="list-style-type: none"> <li>HALT mode</li> <li>FmCF=4MHz ceramic oscillation mode</li> <li>System clock set to 4MHz side</li> <li>Internal low speed and medium speed RC oscillation stopped.</li> </ul>	1.8 to 5.5		1.3	3.1	
			<ul style="list-style-type: none"> <li>Frequency variable RC oscillation stopped.</li> <li>1/1 frequency division ratio</li> </ul>	1.8 to 3.6		0.6	1.2	
	IDDHALT(5)		<ul style="list-style-type: none"> <li>HALT mode</li> <li>CF oscillation low amplifier size selected. (CFLAMP=1)</li> <li>FmCF=4MHz ceramic oscillation mode</li> <li>System clock set to 4MHz side</li> <li>Internal low speed and medium speed RC oscillation stopped.</li> </ul>	2.2 to 5.5		0.6	1.6	
			<ul style="list-style-type: none"> <li>Frequency variable RC oscillation stopped.</li> <li>1/4 frequency division ratio</li> </ul>	2.2 to 3.6		0.3	0.6	
	IDDHALT(6)		<ul style="list-style-type: none"> <li>HALT mode</li> <li>FsX<sup>tal</sup>=32.768kHz crystal oscillation mode</li> <li>Internal low speed RC oscillation stopped.</li> <li>System clock set to internal medium speed RC oscillation</li> </ul>	1.8 to 5.5		0.3	0.9	
			<ul style="list-style-type: none"> <li>Frequency variable RC oscillation stopped.</li> <li>1/2 frequency division ratio</li> </ul>	1.8 to 3.6		0.2	0.4	

Note9-1: Values of the consumption current do not include current that flows into the output transistors and internal pull-up resistors.

Note9-2: The consumption current values do not include operational current of LVD function if not specified.

Continued on next page.

# LC872H08A/06A/04A

Continued from preceding page.

Parameter	Symbol	Pin/ remarks	Conditions	Specification					
				V <sub>DD</sub> [V]	min	typ	max	unit	
HALT mode consumption current (Note 9-1) (Note 9-2)	IDDHALT(7)	V <sub>DD</sub> 1	<ul style="list-style-type: none"> <li>• HALT mode</li> <li>• FsX'tal=32.768kHz crystal oscillation mode</li> <li>• Internal low speed and medium speed RC oscillation stopped.</li> <li>• System clock set to 8MHz with frequency variable RC oscillation</li> <li>• 1/1 frequency division ratio</li> </ul>	2.7 to 5.5		1.6	3.5	mA	
				2.7 to 3.6		1.1	2.0		
	IDDHALT(8)		<ul style="list-style-type: none"> <li>• HALT mode</li> <li>• External FsX'tal and FmCF oscillation stopped.</li> <li>• System clock set to internal low speed RC oscillation.</li> <li>• Internal medium speed RC oscillation sopped.</li> <li>• Frequency variable RC oscillation stopped.</li> <li>• 1/1 frequency division ratio</li> </ul>	1.8 to 5.5		19	88	μA	
				1.8 to 3.6		11	46		
	IDDHALT(9)		<ul style="list-style-type: none"> <li>• HALT mode</li> <li>• External FsX'tal and FmCF oscillation stopped.</li> <li>• System clock set to internal low speed RC oscillation.</li> <li>• Internal medium speed RC oscillation sopped.</li> <li>• Frequency variable RC oscillation stopped.</li> <li>• 1/1 frequency division ratio</li> <li>• Ta=-10 to +50°C</li> </ul>	5.0		19	55		
				3.3		11	32		
				2.5		7.7	22		
	IDDHALT(10)		<ul style="list-style-type: none"> <li>• HALT mode</li> <li>• FsX'tal=32.768kHz crystal oscillation mode</li> <li>• System clock set to 32.768kHz side</li> <li>• Internal low speed and medium speed RC oscillation stopped.</li> <li>• Frequency variable RC oscillation stopped.</li> <li>• 1/2 frequency division ratio</li> </ul>	1.8 to 5.5		27	100		
				1.8 to 3.6		8.5	38		
	IDDHALT(11)		<ul style="list-style-type: none"> <li>• HALT mode</li> <li>• FsX'tal=32.768kHz crystal oscillation mode</li> <li>• System clock set to 32.768kHz side</li> <li>• Internal low speed and medium speed RC oscillation stopped.</li> <li>• Frequency variable RC oscillation stopped.</li> <li>• 1/2 frequency division ratio</li> <li>• Ta=-10 to +50°C</li> </ul>	5.0		27	65		
				3.3		8.5	23		
				2.5		3.8	11		
HOLD mode consumption current (Note 9-1) (Note 9-2)	IDDHOLD(1)	V <sub>DD</sub> 1	HOLD mode <ul style="list-style-type: none"> <li>• CF1=V<sub>DD</sub> or open (External clock mode)</li> </ul>	1.8 to 5.5		0.02	20		μA
				1.8 to 3.6		0.01	9.0		
	IDDHOLD(2)		HOLD mode <ul style="list-style-type: none"> <li>• CF1=V<sub>DD</sub> or open (External clock mode)</li> <li>• Ta=-10 to +50°C</li> </ul>	5.0		0.02	1.7		
				3.3		0.01	0.8		
				2.5		0.009	0.6		
	IDDHOLD(3)		HOLD mode <ul style="list-style-type: none"> <li>• CF1=V<sub>DD</sub> or open (External clock mode)</li> <li>• LVD option selected</li> </ul>	1.8 to 5.5		3.0	23		
				1.8 to 3.6		2.3	12		
	IDDHOLD(4)		HOLD mode <ul style="list-style-type: none"> <li>• CF1=V<sub>DD</sub> or open (External clock mode)</li> <li>• Ta=-10 to +50°C</li> <li>• LVD option selected</li> </ul>	5.0		3.0	5.7		
3.3				2.3	3.9				
2.5				2.0	3.3				
Timer HOLD mode consumption current (Note 9-1) (Note 9-2)	IDDHOLD(5)	V <sub>DD</sub> 1	Timer HOLD mode <ul style="list-style-type: none"> <li>• FsX'tal=32.768 kHz crystal oscillation mode</li> </ul>	1.8 to 5.5		22	95		
				1.8 to 3.6		7.5	35		
	IDDHOLD(6)		Timer HOLD mode <ul style="list-style-type: none"> <li>• FsX'tal=32.768kHz crystal oscillation mode</li> <li>• Ta=-10 to +50°C</li> </ul>	5.0		22	60		
				3.3		7.5	21		
2.5		2.9	10						

Note9-1: Values of the consumption current do not include current that flows into the output transistors and internal pull-up resistors.

Note9-2: The consumption current values do not include operational current of LVD function if not specified.

# LC872H08A/06A/04A

## UART (Full Duplex) Operating Conditions at Ta = -40°C to +85°C, VSS1 = VSS2 = 0V

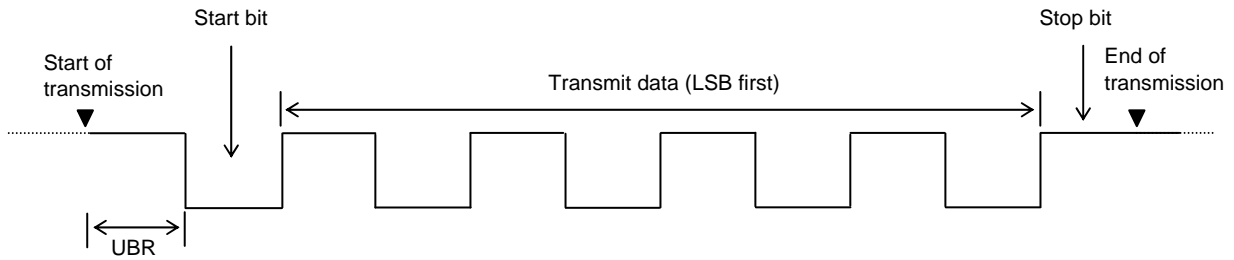
Parameter	Symbol	Pin/Remarks	Conditions	Specification				
				VDD[V]	min	typ	max	unit
Transfer rate	UBR	UTX(P20) URX(P21)		1.8 to 5.5	16/3		8192/3	tCYC

Data length: 7/8/9 bits (LSB first)

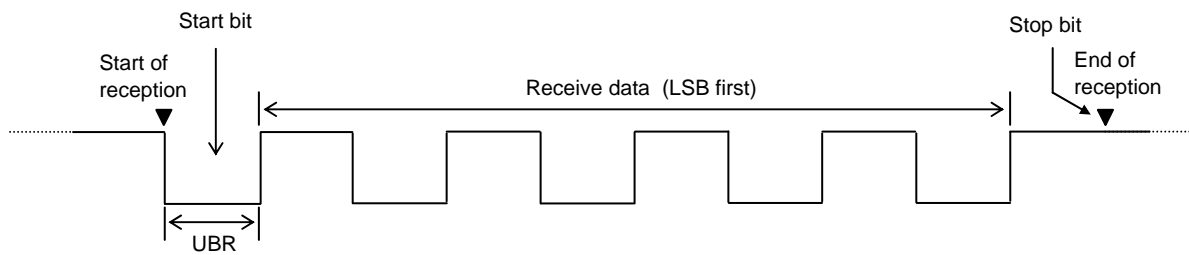
Stop bits: 1 bit (2-bit in continuous data transmission)

Parity bits: None

Example of Continuous 8-bit Data Transmission Mode Processing (First Transmit Data=55H)



Example of Continuous 8-bit Data Reception Mode Processing (First Receive Data=55H)



**Characteristics of a Sample Main System Clock Oscillation Circuit**

Given below are the characteristics of a sample main system clock oscillation circuit that are measured using a SANYO-designated oscillation characteristics evaluation board and external components with circuit constant values with which the oscillator vendor confirmed normal and stable oscillation.

Table 1 Characteristics of a Sample Main System Clock Oscillator Circuit with a Ceramic Oscillator

• CF oscillation normal amplifier size selected (CFLAMP=0)

■MURATA

Nominal Frequency	Type	Oscillator Name	Circuit Constant				Operating Voltage Range [V]	Oscillation Stabilization Time		Remarks
			C1 [pF]	C2 [pF]	Rf [Ω]	Rd [Ω]		typ [ms]	max [ms]	
12MHz	SMD	CSTCE12M0G52-R0	(10)	(10)	Open	680	2.5 to 5.5	0.1	0.5	Internal C1,C2
					Open	1.0k	2.7 to 5.5	0.1	0.5	
10MHz	SMD	CSTCE10M0G52-R0	(10)	(10)	Open	680	2.1 to 5.5	0.1	0.5	
					Open	1.0k	2.3 to 5.5	0.1	0.5	
	LEAD	CSTLS10M0G53-B0	(15)	(15)	Open	680	2.3 to 5.5	0.1	0.5	
					Open	1.0k	2.6 to 5.5	0.1	0.5	
8MHz	SMD	CSTCE8M00G52-R0	(10)	(10)	Open	1.0k	2.0 to 5.5	0.1	0.5	
					Open	1.5k	2.1 to 5.5	0.1	0.5	
	LEAD	CSTLS8M00G53-B0	(15)	(15)	Open	1.0k	2.1 to 5.5	0.1	0.5	
					Open	1.5k	2.3 to 5.5	0.1	0.5	
6MHz	SMD	CSTCR6M00G53-R0	(15)	(15)	Open	1.5k	2.0 to 5.5	0.1	0.5	
					Open	2.2k	2.1 to 5.5	0.1	0.5	
	LEAD	CSTLS6M00G53-B0	(15)	(15)	Open	1.5k	2.0 to 5.5	0.1	0.5	
					Open	2.2k	2.2 to 5.5	0.1	0.5	
4MHz	SMD	CSTCR4M00G53-R0	(15)	(15)	Open	1.5k	1.8 to 5.5	0.2	0.6	
					Open	3.3k	1.9 to 5.5	0.2	0.6	
	LEAD	CSTLS4M00G53-B0	(15)	(15)	Open	1.5k	1.8 to 5.5	0.2	0.6	
					Open	3.3k	1.9 to 5.5	0.2	0.6	

• CF oscillation low amplifier size selected (CFLAMP=1)

■MURATA

Nominal Frequency	Type	Oscillator Name	Circuit Constant				Operating Voltage Range [V]	Oscillation Stabilization Time		Remarks
			C1 [pF]	C2 [pF]	Rf [Ω]	Rd [Ω]		typ [ms]	max [ms]	
4MHz	SMD	CSTCR4M00G53-R0	(15)	(15)	Open	1.0k	2.0 to 5.5	0.2	0.6	Internal C1,C2
					Open	2.2k	2.2 to 5.5	0.2	0.6	
		CSTCR4M00G53095-R0	(15)	(15)	Open	1.0k	1.9 to 5.5	0.2	0.6	
					Open	2.2k	2.0 to 5.5	0.2	0.6	
	LEAD	CSTLS4M00G53-B0	(15)	(15)	Open	1.0k	2.3 to 5.5	0.2	0.6	
					Open	2.2k	2.3 to 5.5	0.2	0.6	
		CSTLS4M00G53095-B0	(15)	(15)	Open	1.0k	1.9 to 5.5	0.2	0.6	
					Open	2.2k	2.0 to 5.5	0.2	0.6	

The oscillation stabilizing time is a period until the oscillation becomes stable after VDD becomes higher than minimum operating voltage. (See Fig. 3)

- Time till the oscillation gets stabilized after the CPU reset state is released
- Till the oscillation gets stabilized after the instruction for starting the main clock oscillation circuit is executed
- Till the oscillation gets stabilized after the HOLD mode is reset.
- Till the oscillation gets stabilized after the X'tal HOLD mode is reset with CFSTOP (OCR register, bit 0) set to 0

**Characteristics of a Sample Subsystem Clock Oscillator Circuit**

Given below are the characteristics of a sample subsystem clock oscillation circuit that are measured using a SANYO-designated oscillation characteristics evaluation board and external components with circuit constant values with which the oscillator vendor confirmed normal and stable oscillation.

Table 2 Characteristics of a Sample Subsystem Clock Oscillator Circuit with a Crystal Oscillator

■EPSON TOYOCOM

Nominal Frequency	Type	Oscillator Name	Circuit Constant				Operating Voltage Range [V]	Oscillation Stabilization Time		Remarks
			C1 [pF]	C2 [pF]	Rf [Ω]	Rd [Ω]		typ [s]	max [s]	
32.768kHz	SMD	MC-306	9	9	Open	330k	1.8 to 5.5	1.4	4.0	Applicable CL value= 7.0pF

The oscillation stabilizing time is a period until the oscillation becomes stable after VDD becomes higher than minimum operating voltage. (See Fig. 3)

- Till the oscillation gets stabilized after the instruction for starting the subclock oscillation circuit is executed
- Till the oscillation starts and gets stabilized after the HOLD mode is reset when EXTOSC (OCR register, bit 6) is set to 1 and CFSTOP (OCR register, bit 0) is set to 1

(Notes on the implementation of the oscillator circuit)

- Oscillation is influenced by the circuit pattern layout of printed circuit board. Place the oscillation-related components as close to the CPU chip and to each other as possible with the shortest possible pattern length.
- Keep the signal lines whose state changes suddenly or in which large current flows as far away from the oscillator circuit as possible and make sure that they do not cross one another.
- Be sure to insert a current limiting resistor (Rd) so that the oscillation amplitude never exceeds the input voltage level that is specified as the absolute maximum rating.
- The oscillator circuit constants shown above are sample characteristic values that are measured using the SANYO-designated oscillation evaluation board. Since the accuracy of the oscillation frequency and other characteristics vary according to the board on which the IC is installed, it is recommended that the user consult the resonator vendor for oscillation evaluation of the IC on a user's production board when using the IC for applications that require high oscillation accuracy. For further information, contact your resonator vendor or SANYO Semiconductor sales representative serving your locality.
- It must be noted, when replacing the flash ROM version of a microcontroller with a mask ROM version, that their operating voltage ranges may differ even when the oscillation constant of the external oscillator is the same.

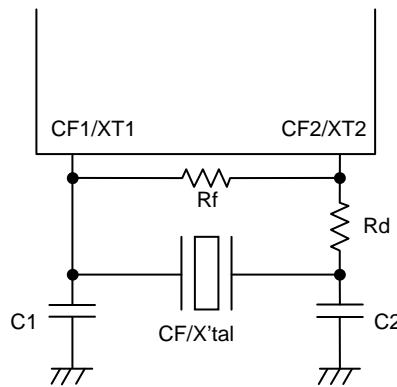


Figure 1 CF and XT Oscillator Circuit

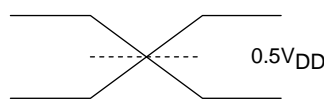
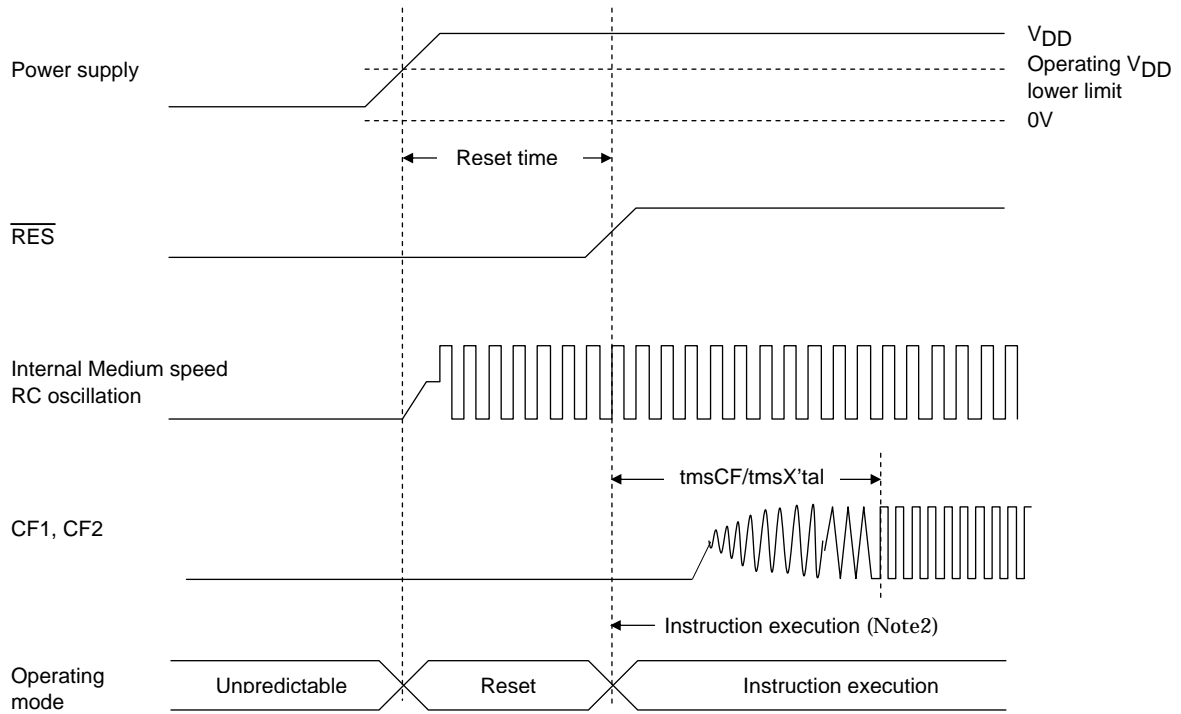
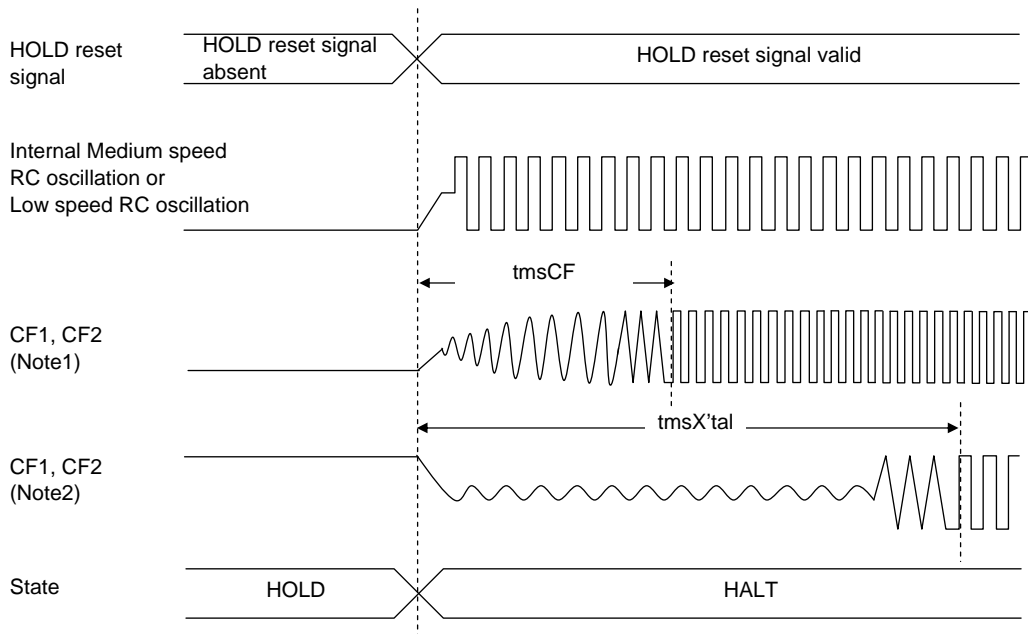


Figure 2 AC Timing Measurement Point





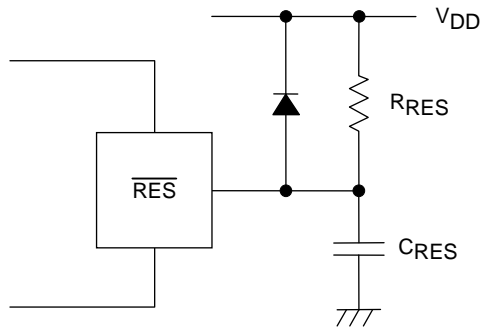
Reset Time and Oscillation Stabilization Time



HOLD Reset Signal and Oscillation Stabilization Time

Note1: Mainclock oscillation circuit is selected.  
 Note2: Subclock oscillation circuit is selected.

Figure 3 Oscillation Stabilization Times



Note:  
External circuits for reset may vary depending on the usage of POR and LVD. Please refer to the user's manual for more information.

Figure 4 Reset Circuit

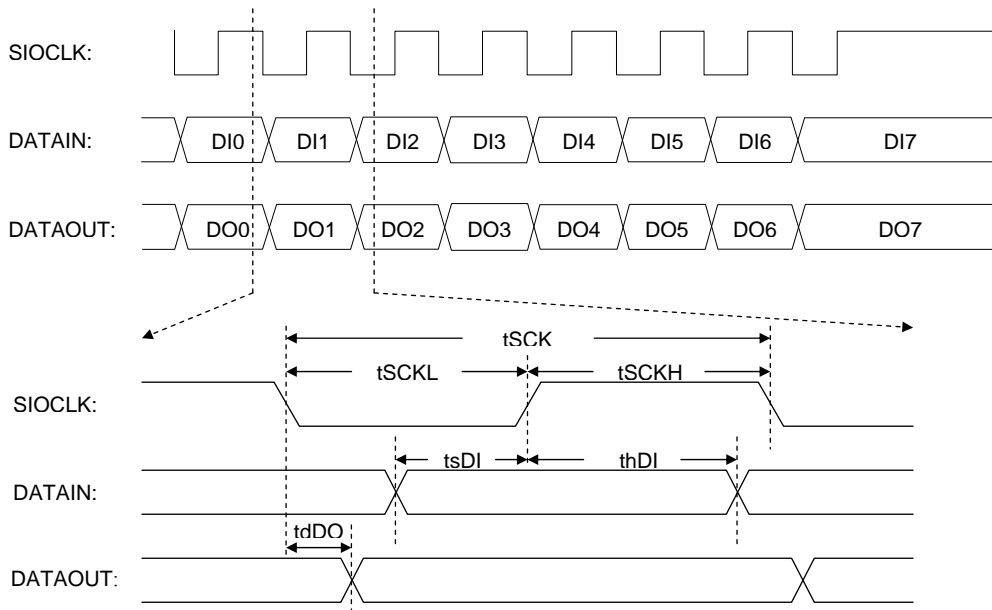


Figure 5 Serial I/O Output Waveforms

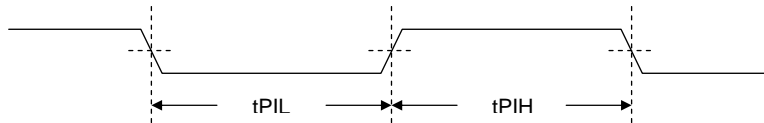


Figure 6 Pulse Input Timing Signal Waveform

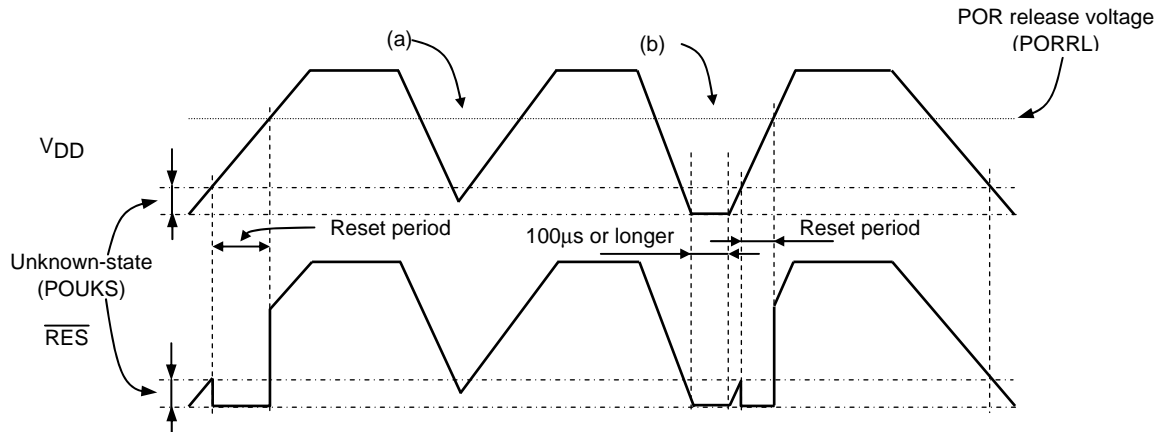


Figure 7 Waveform observed when only POR is used (LVD not used)  
(RESET pin: Pull-up resistor RRES only)

- The POR function generates a reset only when power is turned on starting at the  $V_{SS}$  level.
- No stable reset will be generated if power is turned on again when the power level does not go down to the  $V_{SS}$  level as shown in (a). If such a case is anticipated, use the LVD function together with the POR function or implement an external reset circuit.
- A reset is generated only when the power level goes down to the  $V_{SS}$  level as shown in (b) and power is turned on again after this condition continues for 100µs or longer.

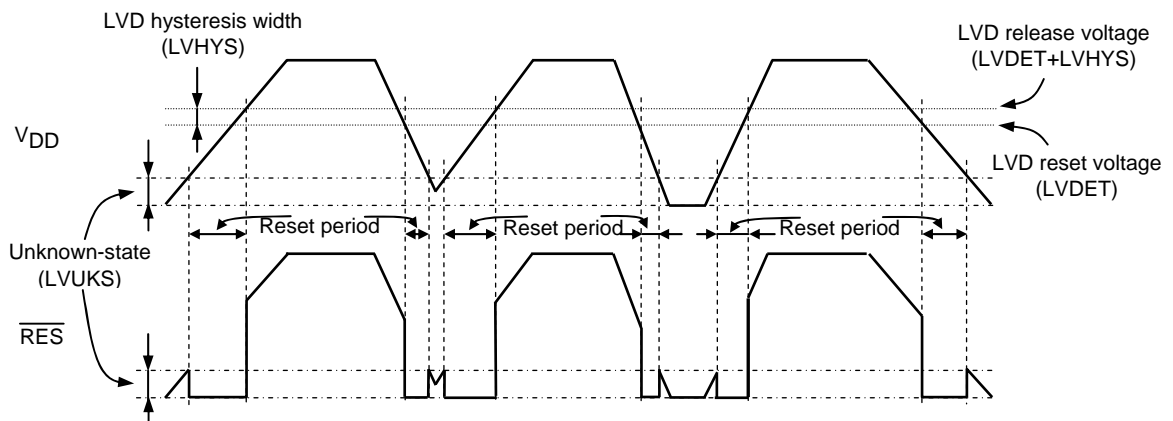


Figure 8 Waveform observed when both POR and LVD functions are used  
(RESET pin: Pull-up resistor RRES only)

- Resets are generated both when power is turned on and when the power level lowers.
- A hysteresis width (LVHYS) is provided to prevent the repetitions of reset release and entry cycles near the detection level.

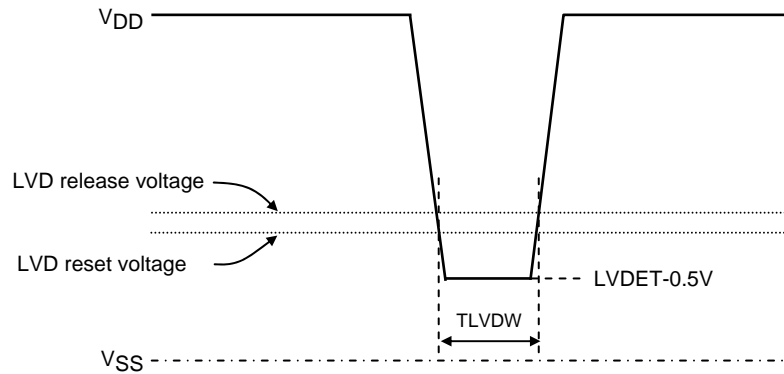


Figure 9 Low voltage detection minimum width  
(Example of momentary power loss/Voltage variation waveform)

- SANYO Semiconductor Co.,Ltd. assumes no responsibility for equipment failures that result from using products at values that exceed, even momentarily, rated values (such as maximum ratings, operating condition ranges, or other parameters) listed in products specifications of any and all SANYO Semiconductor Co.,Ltd. products described or contained herein.
- SANYO Semiconductor Co.,Ltd. strives to supply high-quality high-reliability products, however, any and all semiconductor products fail or malfunction with some probability. It is possible that these probabilistic failures or malfunction could give rise to accidents or events that could endanger human lives, trouble that could give rise to smoke or fire, or accidents that could cause damage to other property. When designing equipment, adopt safety measures so that these kinds of accidents or events cannot occur. Such measures include but are not limited to protective circuits and error prevention circuits for safe design, redundant design, and structural design.
- In the event that any or all SANYO Semiconductor Co.,Ltd. products described or contained herein are controlled under any of applicable local export control laws and regulations, such products may require the export license from the authorities concerned in accordance with the above law.
- No part of this publication may be reproduced or transmitted in any form or by any means, electronic or mechanical, including photocopying and recording, or any information storage or retrieval system, or otherwise, without the prior written consent of SANYO Semiconductor Co.,Ltd.
- Any and all information described or contained herein are subject to change without notice due to product/technology improvement, etc. When designing equipment, refer to the "Delivery Specification" for the SANYO Semiconductor Co.,Ltd. product that you intend to use.
- Information (including circuit diagrams and circuit parameters) herein is for example only; it is not guaranteed for volume production.
- Upon using the technical information or products described herein, neither warranty nor license shall be granted with regard to intellectual property rights or any other rights of SANYO Semiconductor Co.,Ltd. or any third party. SANYO Semiconductor Co.,Ltd. shall not be liable for any claim or suits with regard to a third party's intellectual property rights which has resulted from the use of the technical information and products mentioned above.

This catalog provides information as of July, 2009. Specifications and information herein are subject to change without notice.